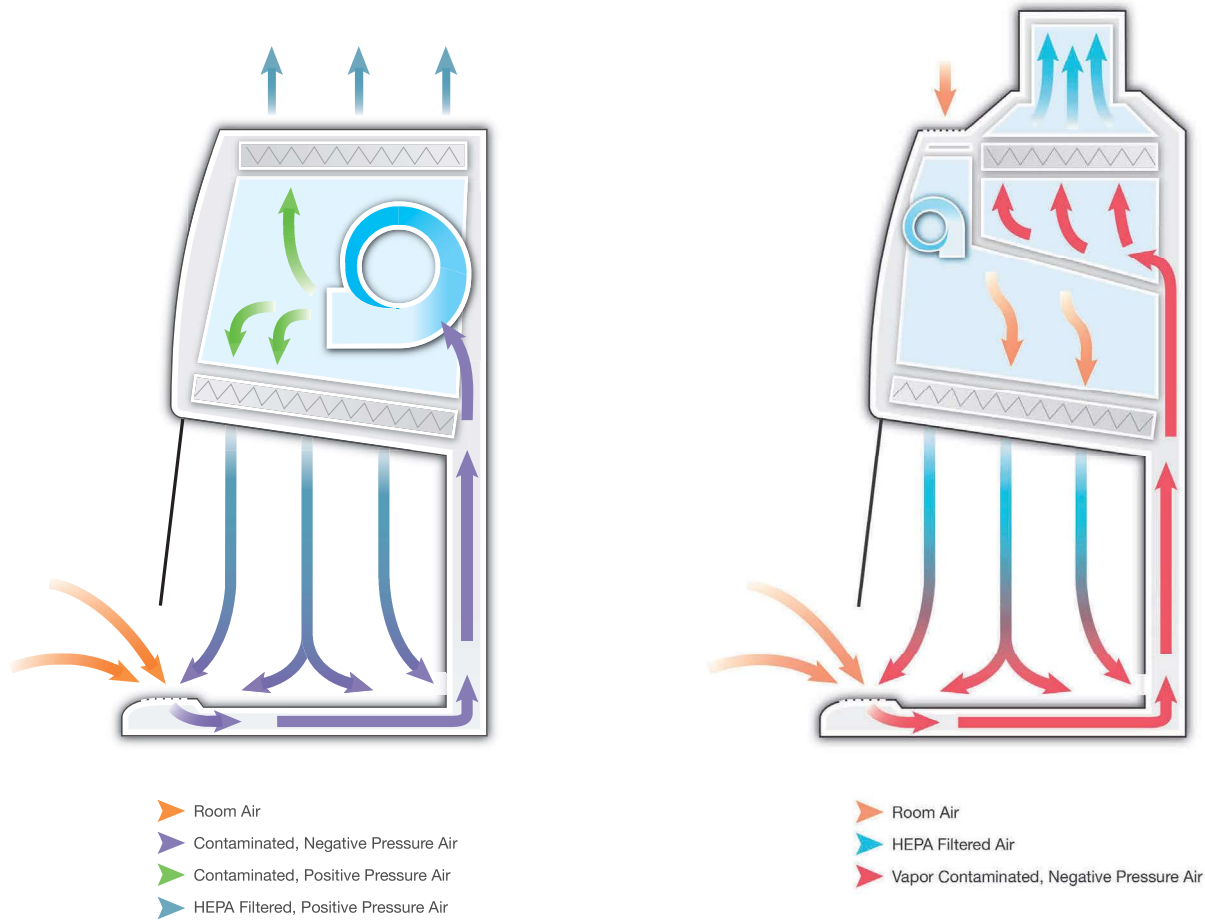


Labconco Logic®

How It Works



Class II, Type A2 BSCs

Room air is drawn into the grille located in the air foil. The air in the area beneath the work surface is a mixture of unfiltered room air, and air that has just passed through the work area. This contaminated air is drawn by the blower through the back plenum of the cabinet, where approximately 70% of the air is recirculated through the supply HEPA filter and back over the work area. The balance of the contaminated air is discharged to the environment after passing through the exhaust HEPA filter.

Class II, Type B2 BSCs

Supply air enters the B2 from an inlet at the top of the cabinet and continues on flowing through the supply HEPA filter. Simultaneously, room air is drawn into the grille located in the air foil. The air in the area beneath the work surface is a mixture of unfiltered room air, and air that has just passed through the work area. This contaminated air is drawn by a remote blower connected to the B2 through exhaust ductwork. 100% of the air in this contaminated plenum is vented to the exterior of the building. Careful planning is required for B2 installations, whereas vented Type A2 and Type C1 cabinets provide substantial ease and safety.

Labconco Logic® Redefined



Class II – and beyond

Safety, performance and comfort like no other.

- Logic OS with touchscreen interface
- Sustainable and efficient – and then some
 - Industry leading airflow stability
 - Exceptionally low energy and noise*
- Inclination Technology™ – advanced ergonomics for all-day comfort
- Smooth, coved design for easy disinfection in critical environments.
- Full 6 year warranty.

Logic OS

Finally – get total control of your cabinet.

- Large 5" touchscreen display
- Line-of-site location for easy viewing
- Intuitive home screen with airflow, filter life, and alert messages
- Smart-Start™ & Night-Smart™ convenience modes
- Full data logs & certification records
- Particle counter alarm threshold monitoring
- Full remote connectivity for building management systems and more

*For models with single motor operation.

Labconco Class II Biosafety Cabinets

Safety Features



Unitized Construction – Welded 304 stainless steel hull and solid steel plenum are pressure tested and built to last.

HEPA Filters – Two 99.99+% efficient filters trap biohazards and produce an ISO Class 5 environment to keep users and their work safe.. ULPA and H14 HEPA filter option also available.

Easy to Decontaminate – Smooth, coved corners throughout interior and exterior.

Dished Work Surface with Prop Rod – Contains spills for easier cleaning. An integral prop rod holds the work surface in place for hands-free cleaning of the sump area.

Line-of-sight Touchscreen Display – Large 5" display clearly communicates cabinet status without the need to look away from critical work.

Logic® OS – Advanced cabinet control software clearly visualizes alert and alarm messages, highlighting impacted areas of the cabinet.

Vacu-Pass Cord & Cable Portal – Designed for easy passage of a cables through right- or left-side wall. Included on models with Accessory package.



Line-of-Sight Display with Logic OS.

Logic OS – Keeping You Safe



Sash Alarm display on Logic OS.

Labconco Class II Biosafety Cabinets

Performance Features

Smart, sustainable

Labconco BSCs save on energy while providing longevity and comfort. Logic® and Axiom® BSCs are powered by innovative Electronically Commutated Motor (ECM) technology that makes a difference.

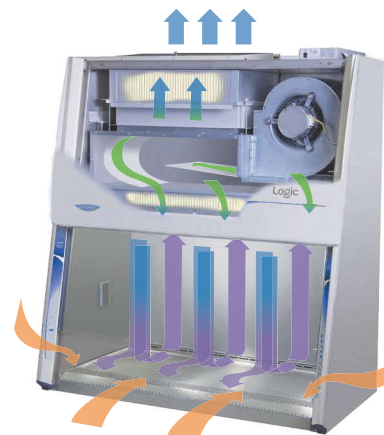
- 30% more efficient than prior models
- Industry-low noise for single-blower cabinets, providing comfortable lab conditions
- 15+ year average motor life eliminates service costs
- 10+ year filter life reduces expensive replacement costs
- Generates less heat for cooler working conditions



Advanced air stability

Constant Airflow Profile™ (CAP) and BalanceFlow™ set a new standard in BSC airflow control to keep you safe. Auto-adjusting airflow ensures your BSC never misses a beat while you work, and the infinitely adjustable BalanceFlow plenum ensures even distribution throughout the work area.

- CAP auto-adjusts BSC airflows as filters load to keep you safe
- Precise operation keeps BSC airflows within 2% of their original setpoint
- Eliminates the need for airflow sensors, which are less accurate and require recalibration annually



- Room Air
- HEPA-Filtered Air
- Unfiltered Air Under Negative Pressure
- Unfiltered Air Under Positive Pressure

Operating Cost Comparison

BSC Energy Usage*	Labconco A2	Other Cabinet A	Other Cabinet B	Other Cabinet C
Motor Type	ECM	AC 3-Phase	ECM	ECM
Energy Consumption (watts)	180	414	299	180
Annual Energy Cost**	\$49.53	\$113.93	\$82.28	\$49.53
Annual Certification	\$250	\$250	\$250	\$250
Filter Change(s)	\$1,500	\$1,500	\$1,500	\$3,000
15-year Operational Cost	\$5,993	\$6,959	\$6,484	\$7,493

*Based on 4-ft, 8" sash opening BSC, recirculating

**Based on 8-hr day, 2080 hours per year at \$0.1323/kWh

Labconco Class II Biosafety Cabinets

Comfort Features



Line-of-Sight Display and Touch-Pad Controls –
Full control is within reach while seated.

Service Fixtures, Outlets, and Controls – All within reach and ADA compliant*. Helping with accessibility and cleanability to prevent unnecessary contamination.

Curved Inlet Grille – Provides comfortable area to rest arms. No additional armrests are needed.

Quiet ECM Blower – Exceeds NSF requirements for quiet operation and runs cooler than other comparable motors.

Bright LED Lighting – Illuminates the interior up to 180 foot-candles (1,937 lux) for maximum visibility.

Work Surface Prop Rod – Holds work surface upright when deep cleaning.

Hydraulic Base Stands – Provides flexibility to adjust the work height to accommodate many users.



Electrical Outlet Cover – Can be opened with one finger and then gently and slowly self-closes. Mounts flush and flat against the side wall for complete decontamination.



Mag-Zone™ Area –** Increases accessibility, organization and improves cleaning protocols. Attach Labconco stainless-steel, magnetic accessories for pipettes, pipette aid or a waste bag.

* Meets requirements for Americans with Disabilities Act Standards for Accessible Design

** Logic & Cell Logic models.

Logic® Class II, Type A2 Biosafety Cabinets

Features & Benefits

Class II Airflow

Provides Personnel, Product, and Environmental protection from hazardous pathogens and particles.

Type A2

- Approximately 70% Recirculated, 30% Exhausted
- Recirculating or Canopy Ducted

NSF 49 Listed

Each Labconco Class II BSC exceeds globally recognized performance and construction requirements.

Unitized Construction

A welded 304 stainless steel cabinet hull, dished work surface, and solid steel plenum are built to last.

Long-Life HEPA Filters

Dual filters are 99.99+% efficient (at 0.3 microns), providing ISO Class 5 or better air.

Sustainable Design

Each cabinet is constructed with more than 70% recycled materials. An ECM motor and LED lighting consume as little as 150 watts.

Inclination Technology

A sloped sash, curved airfoil that functions as armrest, large working area, and eye-level display maximize comfort.

Logic OS

Conveniently displays all cabinet information on a bright 5" line-of-sight touchscreen.

Constant Airflow Profile™ (CAP)

Continuously monitors and maintains safe inflow and downflow to protect users and samples.

Advanced ECM Blower

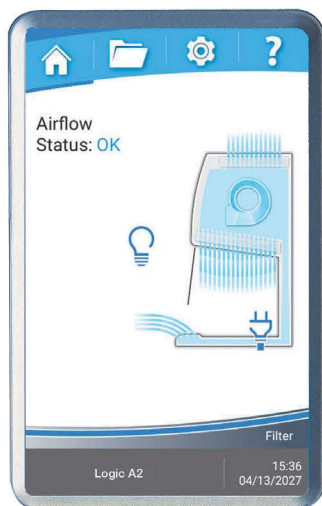
Combined with CAP™ technology, reduces energy consumption and noise, improving user comfort and safety.

Mag-Zone™ Area

Unique storage area organizes your BSC and improves cleanability. Holds multiple accessories for pipettes, biohazard waste, and more.

Effortless Disinfection

304 stainless steel interior withstands routine disinfection. Coved corners and dished work surface are easily cleanable.



Logic OS Information Center

Touchscreen Display

Large 5" screen clearly visualizes cabinet conditions for effortless monitoring of cabinet behaviors.

Filter Life Indicator

Accurately displays remaining HEPA filter life. Alerts users at 20% and 10% before alarming at 0%.

Airflow Status

Displays current status of airflow within cabinet for consistent confirmation of safety.

Smart-Start™

Automatically start and stop your cabinet blower and lights by simply moving the sash.

Night-Smart™

Keeps the cabinet interior clean between uses with minimal energy use.

Alerts & Alarms

Large, clear visual and audible signals notify users of unsafe cabinet conditions.

User Convenience

Logic OS includes a programmable experiment and UV light timer, data logging and a full certification menu.

Data Logging & Connectivity

Export system data logs and records via USB, or connect to Logic OS remotely for 24/7 cabinet monitoring with Remote Communication Board accessory.

Logic® Class II, Type A2 Biosafety Cabinets

Ordering Information

Catalog Number Configurator:

Use this key to configure the nine digit catalog number to order your Logic or Cell Logic Class II, Type A2 Biosafety Cabinet.



Select **CELL LOGIC PACKAGE(S)**. This is the second digit of your catalog number.

- 0 = None
- 2 = Temp-Zone. Fifth digit is 9 and sixth digit is 1
- 3 = Scope-Ready. Fifth digit is 9 and sixth digit is 1
- 4 = Temp-Zone and Scope-Ready. Fifth digit is 9 and sixth digit is 1

Select the **WIDTH** of your cabinet. This is the fourth digit of your catalog number.

- 3 = 3' 4 = 4' 5 = 5' 6 = 6'

Select the **SASH OPENING HEIGHT**. This is the fifth digit of your catalog number.

- 1 = 10" (25.4 cm) 2 = 12" (30.5 cm)
- 8 = 8" (20.3 cm) 9 = 9" (22.9 cm) - Cell Logic only

Select the **ACCESSORY PACKAGE** option. This is the sixth digit of your catalog number.

- 0 = None
- 1 = Includes factory-installed right-side service fixture, UV lamp and a Vacu-Pass™ Cord & Cable Portal on each side. Package standard on all Cell Logic models.

Select the **TELESCOPING BASE STAND** option. This is the seventh digit of your catalog number.

- 0 = None
- 1 = Included

Select the **ELECTRICAL CONFIGURATION** and **PLUG TYPE**. These are the eighth and ninth digits of your catalog number.

- 02 = 115V, 15/20A, 60 Hz, with plug for North America
- 12 = 230V, 50/60 Hz, with plug for North America
- 22 = 100V, 15/20A, 50/60 Hz, with plug for Japan
- 32 = 230V, 50/60 Hz, with Schuko plug
- 42 = 230V, 50/60 Hz, with plug for China/Australia
- 52 = 230V, 50/60 Hz, with plug for Great Britain (UK)
- 72 = 230V, 50/60 Hz, with plug for India

Plug Configurations



115V, 15A
for North America
100V, 15A for Japan
(3' and 4' widths)



115V, 20A
for North America
100V, 20A for Japan
(5' and 6' widths)



230V
for North America



230V
Schuko



230V
for China/Australia



230V
for Great Britain (UK)



230V
for India

Technical Specifications

Nominal Width	Energy Requirements*		Watts				Shipping Weight	Shipping Weight with Stand
	100V or 115V	230V	8"	9"	10"	12"		
3'	12A	6A	150	158	165	195	621 lbs. (282 kg)	697 lbs. (316 kg)
4'	12A	6A	180	193	205	240	725 lbs. (329 kg)	808 lbs. (367 kg)
5'	16A	8A	205	238	270	340	862 lbs. (391 kg)	953 lbs. (432 kg)
6'	16A	8A	350	385	420	490	992 lbs. (450 kg)	1091 lbs. (495 kg)

* Dedicated, non-GFI outlet required. Acceptable voltage range +/-10% nominal value.

Logic® Class II, Type A2 Biosafety Cabinets

Specifications



All models feature:

- Long-life DC Electronically Commutated Motor (ECM)
- * Constant Airflow Profile™ (CAP) airflow monitoring system
- * BalanceFlow™ plenum provides energy-efficiency and ultra-quiet operation*
- * Easy clean top cover that promotes even exhaust airflow from the top cover
- * Mag-Zone™ area on interior right side manages storage challenges with Labconco Magnetic Mag-Zone accessories
- Intrinsically-safe negative pressure design
- Fully scannable 99.99+% supply and exhaust HEPA filters. 99.999% efficient ULPA filters or H14 HEPA filters also available
- * Logic OS and 5" interior-mounted, line-of-sight touchscreen information center with:
 - Smart-Start™ System allows user to start up and shut down cabinet functions by raising and lowering the sash
 - Night-Smart™ System for idling the blower when the sash is fully closed
 - Full operational maintenance and certification logs for detailed record keeping
 - Status line for alarm conditions and alerts to warn when filter life diminishes to 20% and 10% before alarming at 0%
 - Interval/elapsed timer for experiment monitoring
 - UV light timer (on models with UV)
 - Password protection for cabinet settings
 - 8 Languages
- Bright, glare-free LED lighting up to 180 foot-candles (1937 lux). Located outside the contaminated work area
- * Curved, stainless steel inlet grille with waterfall design and Reserve-Air™ Secondary Airflow Slots
- * Air-Wave™ Entry System at access opening to enhance containment

* Labconco exclusive feature

- * Contain-Air™ Negative Pressure Channel at top of sash to enhance containment
- * Two electrical outlets. Flush mounted stainless steel cover with dampened hinges
 - 115V GFCI, double receptacles, maximum amperage draw 5A
 - 230V, single receptacles, maximum amperage draw 3A
- 10° angled, fully closing sash. 1/4" tempered safety glass with counterbalanced, anti-racking, easy-to-lift mechanism
- Unitized, pressure tested stainless steel interior. Optic White epoxy-coated steel exterior
- Removable towel catch located under work surface
- 8", 10", or 12" (20.3, 25.4, or 30.5 cm) working sash height
- * 22.5" (57 cm) max. sash opening & 27.0" (69 cm) viewing height
- Removable, seamless type 304 stainless steel, dished work surface with lift out knobs
- Nominal inflow velocity of 105 fpm (0.53 m/sec)
- Nominal downflow velocity of 55 fpm (0.28 m/sec). 6' x 12" sash models nominal downflow velocity of 50 fpm (0.25 m/s)
- Approximately 70% air recirculation
- Noise level <60 dB (4ft 10" model)
- 10' (3 m) power cord with plug
- Six year warranty

Models conform to the following standards:

- NSF/ANSI Standard 49 listed
- NSF/ANSI 49 compliant (Cell Logic models)
- ISO Class 5 (Grade A) per ISO 14644-1
- UL Standard 61010-1
- CAN/CSA 22.2 No. 61010-1
- CE/UKCA Mark (230V models)
- * ADA-compliant

Options include:

- Unassembled, NSF-approved, epoxy-coated steel, non-welded telescoping base stand with leveling feet
- Accessory Package: UV lamp (254 nm), right-side service fixture with ball-type valve and right and left-side Vacu-Pass™ Cord & Cable Portal
- Ventus™ II Canopy Connection: See page 37
- Cell Logic Packages: See page 34-35

All models require (not included):

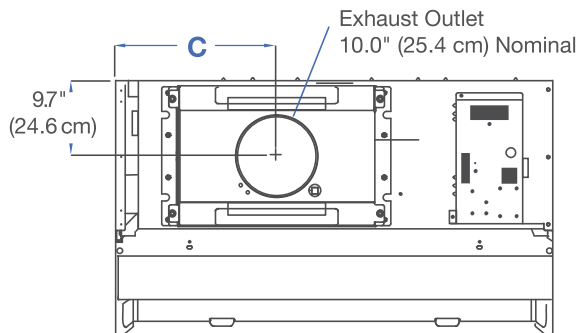
- Supporting base if non-welded stand option is not selected

*U.S. Patent Pending

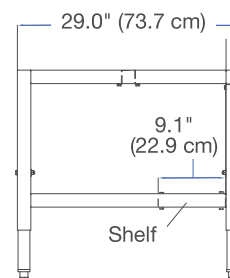
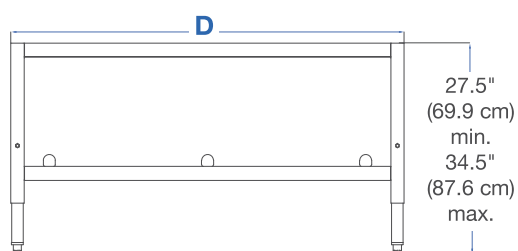
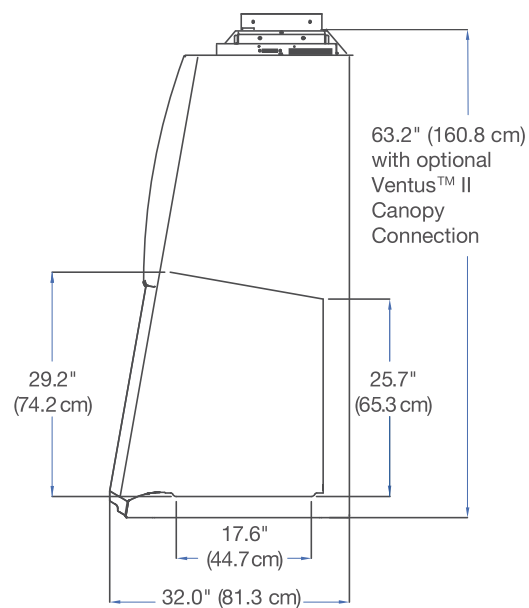
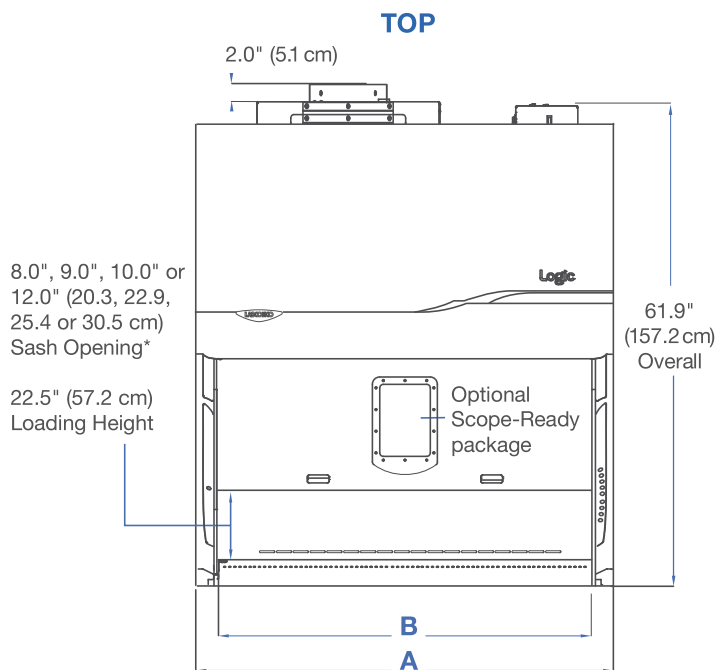


Logic® Class II, Type A2 Biosafety Cabinets

Dimensional Data



Nominal Width	A	B	C	D
3'	42.4" (107.7 cm)	36.5" (92.7 cm)	14.5" (36.8 cm)	38.5" (97.8 cm)
4'	54.4" (138.2 cm)	48.5" (123.2 cm)	19.9" (50.5 cm)	50.5" (128.3 cm)
5'	66.4" (168.7 cm)	60.5" (153.7 cm)	26.8" (68.1 cm)	62.5" (158.8 cm)
6'	78.4" (199.1 cm)	72.5" (184.2 cm)	32.9" (83.6 cm)	74.5" (189.2 cm)



FRONT

SIDE

*Sash opening working height varies. All Cell Logic Class II, Type A2's have a 9.0" working height. Remaining models have either an 8.0", 10.0" or 12.0" working height.
Note: Shown without A2 (recirculating) Easy-Clean exhaust cover. Overall height with Easy-Clean cover is 61.9".

Class II Biosafety Cabinets

Logic and Axiom Unassembled Telescoping Base Stand



Optic White stand with accessory caster kit shown

Standard Features

- When ordered, unassembled design ships on pallet with biosafety cabinet
- Telescoping legs are adjustable to eight height positions at installation in 1" (2.5 cm) increments to provide a working height from 30" (76 cm) to 37" (94 cm)*
- Durable Optic White epoxy-coating for Logic biosafety cabinets
- Durable Glacier White epoxy-coating for Axiom biosafety cabinets
- Optic White stands feature three pass-throughs in rear panel. Pass-through not available on Glacier White stands

- Supports loads up to 1,000 lbs. (454 kg)
- Durable 1.75" steel frame
- Fixed leveling feet
- NSF approved
- ADA-compliant

See drawings on pages 21 (A2), 25 (B2) and 29 (C1). Axiom base stand does not feature pass-through ports.

5190100 - Caster Kit. For converting telescoping base stands with fixed feet to mobile stands. Kit includes four 5" (12.7 cm) dia., toe-locking, glass-filled nylon casters that are resistant to most chemicals. Easy-clean and maintenance free. Load rating for each caster is 250 lbs. Casters add up to 7" - 11" (18 - 28 cm) to the overall depth of the base stand. **Installation required.** Shipping weight 22 lbs. (9.8 kg)

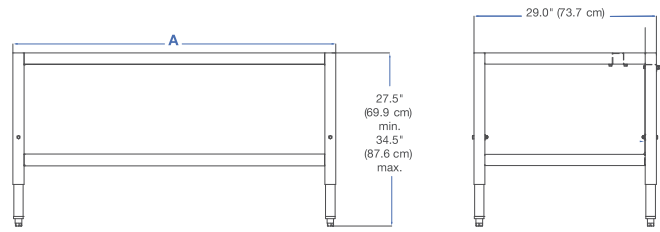


5190200—Seismic Bracket Kit. Secures base stand to the floor in earthquake-prone regions. Includes four stainless steel brackets and hardware for attachment to stand. **Floor hardware and installation required.** Shipping weight 22 lbs. (9.8 kg)



Class II Biosafety Cabinets

Logic Telescoping Base Stand



Nominal Width	A	Shipping Weight
3'	38.5" (97.8 cm)	100 lbs. (45 kg)
4'	50.5" (128.3 cm)	115 lbs. (48 kg)
5'	62.5" (158.8 cm)	120 lbs. (54 kg)
6'	74.5" (189.2 cm)	125 lbs. (57 kg)

Standard Features

- Fully Welded design
- For Optic White Logic BSC models*
- Supports loads up to 4,000 lbs. (1814 kg)
- Castered models supports loads up to 1,000 lbs. (454 kg)
- Durable 1.75" tubular, epoxy-coated steel frame
- Telescoping legs are adjustable to eight height positions at installation in 1" (2.5 cm) increments to provide a working height from 30" (76 cm) to 37" (94 cm)*
- Available with either fixed leveling feet or 5" easy-clean casters with toe locks
- NSF approved
- ADA-compliant

Catalog Number Configurator:

Use this key to configure the seven digit catalog number to order your Optic White Telescoping Base Stand.

5 1 7 3 0

Select the **NOMINAL STAND WIDTH** of your cabinet. This is the fifth digit of your catalog number.

- 3 = 3'
- 4 = 4'
- 5 = 5'
- 6 = 6'

Select the **TYPE OF FEET** required. This is the sixth digit of your catalog number.

- 0 = Leveling Feet
- 1 = Casters

5190100 - Caster Kit. For converting telescoping base stands with fixed feet to mobile stands. Kit includes four 5" (12.7 cm) dia., toe-locking, glass-filled nylon casters that are resistant to most chemicals. Easy-clean and maintenance free. Load rating for each caster is 250 lbs. Casters add up to 7" - 11" (18 - 28 cm) to the overall depth of the base stand. **Installation required.** Shipping weight 22 lbs. (9.8 kg)



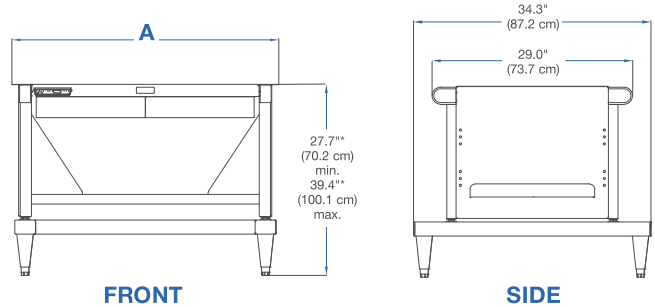
5190200—Seismic Bracket Kit. Secures base stand to the floor in earthquake-prone regions. Includes four stainless steel brackets and hardware for attachment to stand. **Floor hardware and installation required.** Shipping weight 22 lbs. (9.8 kg)



* Contact Labconco for Glacier White base stands for Axiom, Legacy Purifier Logic and Legacy Delta BSCs.

Class II Biosafety Cabinets

Universal Hydraulic Base Stand



Nominal Width	A	Shipping Weight
3'	38.6" (98.0 cm)	178 lbs. (81 kg)
4'	50.6" (128.5 cm)	227 lbs. (103 kg)
5'	62.6" (159.0 cm)	261 lbs. (118 kg)
6'	74.6" (189.5 cm)	295 lbs. (134 kg)

Standard features

- For all Optic White Labconco Class II BSC models*
- Supports loads up to 1,000 lbs. (454 kg)
- Durable epoxy-coated Optic White steel frame
- Infinitely adjustable for working heights of 28–40" (71–101.6 cm)
- Four user-programmable memory positions
- Leveling feet or 5" (12.7 cm) diameter, toe-locking, glass-filled nylon casters that are resistant to most chemicals.
- Front-accessible up/down switch, right or left side compatible
- Programmable safety stops to limit upper and lower travel

5190300—Seismic Kit, Hydraulic Base Stand. Secures hydraulic base stand to floor. Includes stainless steel brackets and hardware for attachment to stand. **Floor hardware and installation required.** Shipping weight 12 lbs. (5.4 kg)

Catalog Number Configurator:

Use this key to configure the seven digit catalog number to order your Logic Universal Hydraulic Base Stand.

5 1 8

Select the **TYPE OF FEET** required. This is the fourth digit of your catalog number.

0 = Leveling Feet 1 = Casters

Select the **NOMINAL STAND WIDTH**. This is the fifth digit of your catalog number.

3 = 3' 4 = 4' 5 = 5' 6 = 6'

Select the **ELECTRICAL CONFIGURATION** and **PLUG TYPE**. These are the sixth and seventh digits of your catalog number.

00 = 115V, 15A, 60 Hz, with plug for North America

10 = 230V, 50/60 Hz, with plug for North America

30 = 230V, 50/60 Hz, with plug for Schuko plug

40 = 230V, 50/60 Hz, with plug for China/Australia

50 = 230V, 50/60 Hz, with plug for Great Britain (UK)

70 = 230V, 50/60 Hz, with plug for India

Plug Configurations



115V, 15A
for North America



230V
for North America



230V
Schuko



230V
for China/Australia



230V
for Great Britain (UK)

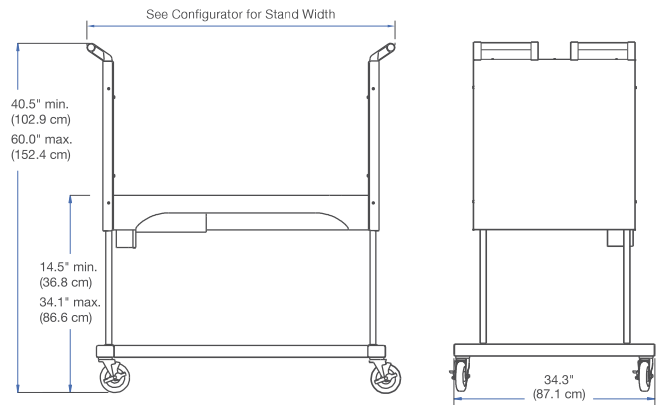


230V
for India

*Contact Labconco for Glacier White hydraulic base stands for Axiom, Legacy Purifier Logic and Legacy Delta BSCs.

Class II Biosafety Cabinets

SoLo™ Hydraulic Lift Base Stand



FRONT

SIDE

Standard Features

- For all Optic White Labconco Class II BSC models*
- Hydraulic lift provides flexible height adjustment and permits passage through standard doorways as low as 75.5" (191.7 cm) high for A2 cabinets.
- Infinitely adjustable height provides work surface heights from 17.0" (43.2 cm) to 37" (94.0 cm).
- Supports loads up to 1,000 lbs. (454 kg)
- 5" (12.7 cm) dia., toe-locking, glass-filled nylon casters. Resistant to most chemicals, easy-clean and maintenance-free.
- Durable epoxy-coated steel construction
- Two handle bars facilitate transport.
- NSF-approved

Catalog Number Configurator:

Use this key to configure the seven digit catalog number to order your SoLo Hydraulic Base Stand.

5 1 8 5

Select the **NOMINAL WIDTH** of your cabinet. This is the fifth digit of your catalog number.

- 3** = 3' Overall Stand Width 53.6" (136.2 cm)
Shipping Weight: 390 lbs. (177 kg)
- 4** = 4' Overall Stand Width 65.6" (166.7 cm)
Shipping Weight: 420 lbs. (190 kg)
- 5** = 5' Overall Stand Width 77.6" (197.2 cm)
Shipping Weight: 460 lbs. (209 kg)
- 6** = 6' Overall Stand Width 89.6" (227.6 cm)
Shipping Weight: 500 lbs. (227 kg)

Select the **ELECTRICAL CONFIGURATION** and **PLUG TYPE**. This is the sixth digit of your catalog number.

- 00** = 115V, 15/20A, 60 Hz, with plug for North America
- 10** = 230V, 50/60 Hz, with plug for North America
- 30** = 230V, 50/60 Hz, with Schuko plug
- 40** = 230V, 50/60 Hz, with plug for China/Australia
- 50** = 230V, 50/60 Hz, with plug for Great Britain (UK)
- 70** = 230V, 50/60 Hz, with plug for India

Plug Configurations



115V, 15A
for North America



230V
for North America



230V
Schuko



230V
for China/Australia



230V
for Great Britain (UK)



230V
for India

*Contact Labconco for Glacier White SoLo base stands for Axiom, Legacy Purifier Logic and Legacy Delta BSCs.